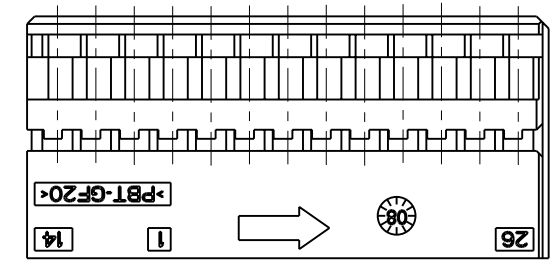
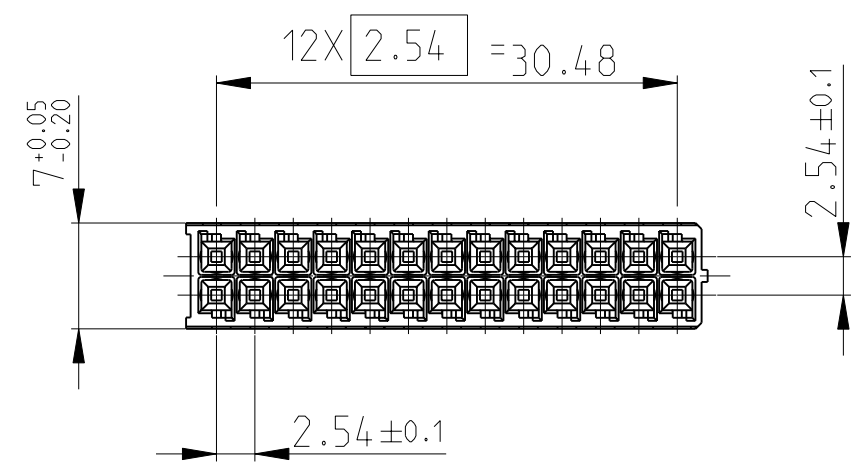
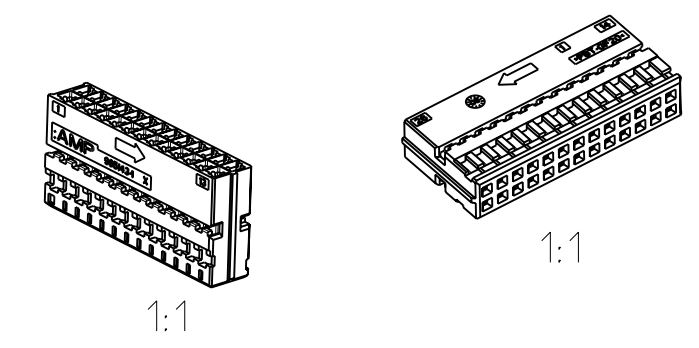
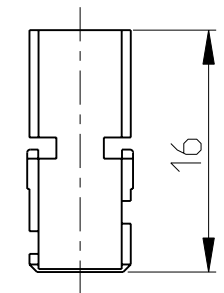
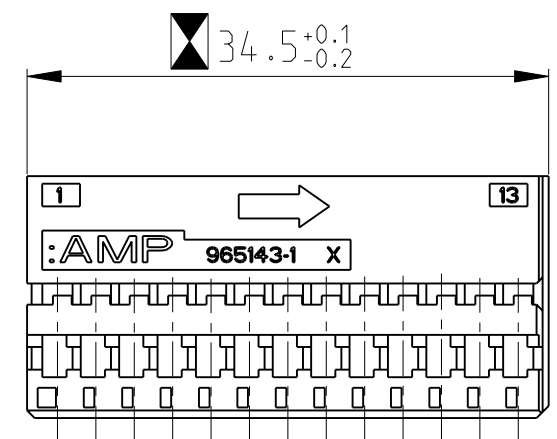


THIS DRAWING IS UNPUBLISHED. RELEASED FOR PUBLICATION 20
 © COPYRIGHT 20 BY TYCO ELECTRONICS CORPORATION. ALL RIGHTS RESERVED.

LOC	DIST	REVISIONS					
		P	LTR	DESCRIPTION	DATE	DWN	APVD
A1	-		1	PN Für passende Kontakte hinzu	01OCT1992	STEINBACH	-
			A1	SEE ECR-09-016036	17JUL2009	HM	GS



NOTES
Bemerkungen

- 1 DIMENSION FOR SPC
Maße für Statistische Prozess-Kontrolle
- 2 PACKING: BULK PACKAGING
Verpackung: Schüttgut
- 3 ALLOWABLE MQS TERMINALS: TE-PART NO 928999-1 / -5 (DGB 0.2 - 0.5mm²)
and TE-PART NO 963715-1 / -5 (DGB 0.5 - 0.75mm²)
Passende MQS-Kontakte: TE-Part-Nr. 928999-1 / -5 (DGB 0.2 - 0.5mm²)
und TE-Part-Nr. 963715-1 / -5 (DGB 0.5 - 0.75mm²)

TE-PART NO	REV	PCS	DESCRIPTION	MATERIAL	COLOUR	ITEM NO
965143-1	A	1	SOCKET HOUSING	PBT-GF20	BLACK	

PARTS LIST

THIS DRAWING IS A CONTROLLED DOCUMENT FOR TYCO ELECTRONICS CORPORATION IT IS SUBJECT TO CHANGE AND THE CONTROLLING ENGINEERING ORGANIZATION SHOULD BE CONTACTED FOR THE LATEST REVISION.

DIMENSIONS:	TOLERANCES UNLESS OTHERWISE SPECIFIED:
mm	
0 PLC	±0.3
1 PLC	±0.3
2 PLC	±0.3
3 PLC	±
4 PLC	±
ANGLES	±2°
MATERIAL	FINISH
-	-

DWN	R. JAKLIN	19MAY1992	Tyco Electronics AMP GmbH 64625 Bensheim (Germany)			
CHK	-	-	NAME 2x13POS. MQS SOCKET HOUSING 2x13pol. MQS Buchsengehaeuse			
APVD	-	-	SIZE	CAGE CODE	DRAWING NO	RESTRICTED TO
PRODUCT SPEC	-	-	A3	00779	©=965143	-
APPLICATION SPEC	-	-	WEIGHT		-	-
CUSTOMER DRAWING			SCALE	SHEET	OF	REV
			2:1	1	1	A1